

Features

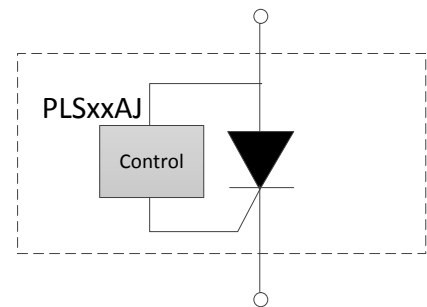
- Fast switching
- Automatically reset after power cycle
- Available in low profile
- Suitable for industrial lighting environments
- RoHS compliant

Applications

- LED streetlights
- LCD backlighting
- Display lighting
- Intrinsically safe lighting

Description

PLS Series are protectors for LED shunt that provide a current bypass when an LED element in an LED string fails open circuit. This ensures the remaining string of LEDs will continue to function. There are many cases where high reliability of the LED lighting must be maintained, such as LCD backlighting, transport lighting, avionics, intrinsically safe and low maintenance lighting.



Electrical Characteristics

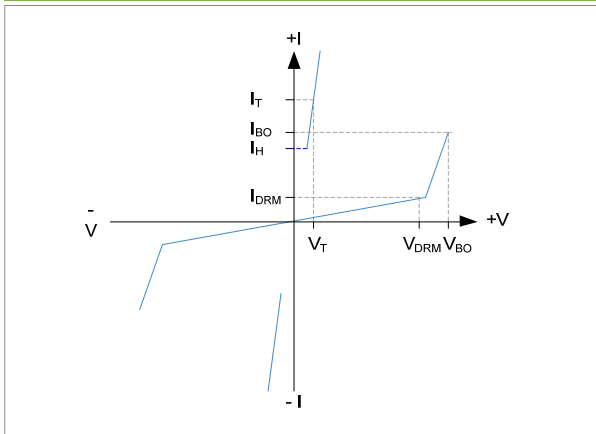
Part Number	V _{BR} Breakdown Volts(V)		V _{DRM} Volts(V)	I _H mAmps	I _S mAmps	I _T @V _T Amps	V _T @I _T =1Amp Volts	I _{BO} mAmps
	Min	Max	Min	Min	Max	Max	Max	Max
PLS06AJ	6	16	6	5	100	1.0	1.2	75
PLS09AJ	9	18	9					
PLS13AJ	13	26	13					
PLS18AJ	18	33	18					

Thermal Characteristics(T_A=25°C unless otherwise noted)

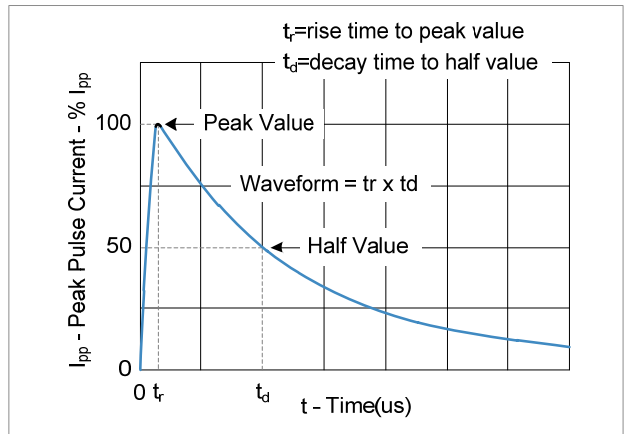
Parameter	Test Conditions	Min.	Nom.	Max.	Units
Junction to free air thermal resistance	EIA/JESD51-3 PCB, I _T = 350 mA, T _A = 25 °C		230		°C/W
Junction to free air thermal resistance	EIA/JESD51-7,75mmx75mm 4-Layer PCB, I _T = 1.0A, T _A = 25 °C		90		°C/W

Typical Characteristics

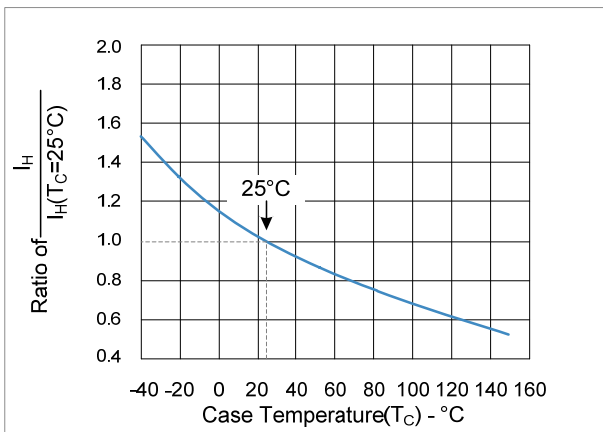
V-I Characteristics



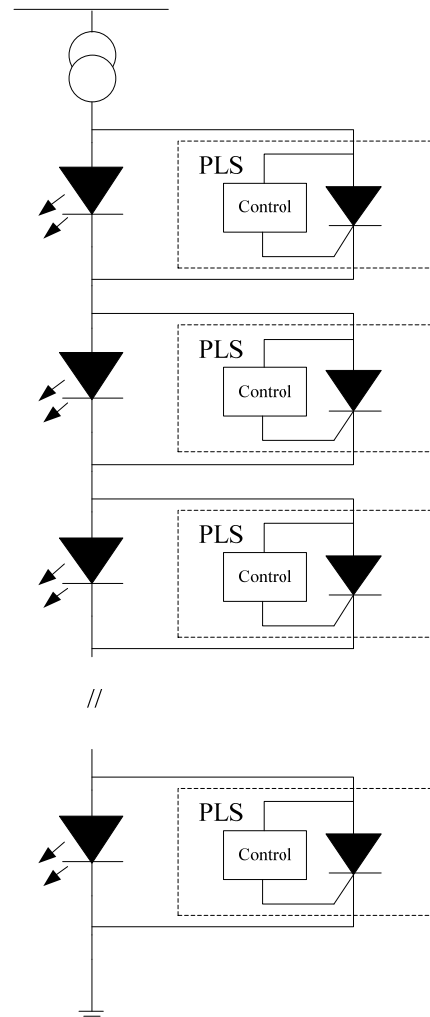
tr X td Pulse Waveform



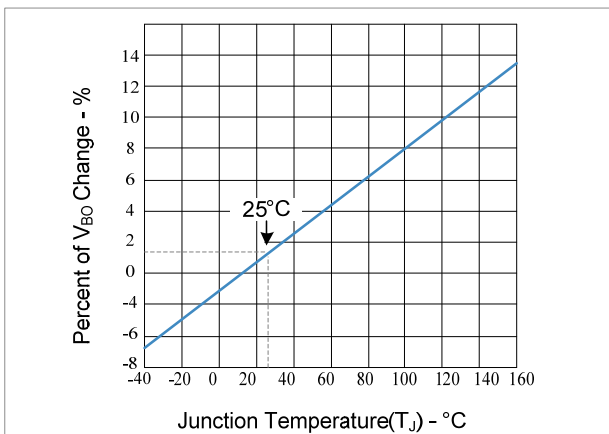
Normalized DC Holding Current vs. Case Temperature



Typical Application



Normalized VBO Change versus Junction Temperature



Dimensions

PACKAGE OUTLINE

The technical drawings show the package outline with dimensions A through H. Dimensions A, B, C, D, E, G, and H are in inches. Dimensions A, B, C, D, E, G, and H are also in millimeters. The detail view shows lead dimensions: width (2.0) and height (0.787) in millimeters.

Dimension	Inches		Millimeters	
	MIN	MAX	MIN	MAX
A	0.100	0.110	2.540	2.790
B	0.194	0.208	4.930	5.280
C	0.049	0.065	1.250	1.650
D	0.157	0.177	3.990	4.500
E	0.030	0.060	0.780	1.520
G	0.002	0.006	0.05	0.15
H	0.078	0.090	1.980	2.290

PLS - xx AJ R

Series Type

Standard Packaging
R - Tape and Reel Packaging (3,000 pcs/reel)

Package
AJ - SMA DO-214AC Package

Stand-off Voltage

Ordering information

Order code	Component Package	Base qty	Packaging Option	Packaging Specification
PLSxxAJ	DO-214AC	2500	Tape & Reel	EIA STD-481